



## JET PUMP + NXT CONTROLLER



### PRODUCT DESCRIPTION

Self priming centrifugal pump with excellent suction capacity even in the presence of air bubbles. Suitable for pumping water with low levels of sandy impurities.

Especially used in domestic water supply installations. Suitable for small farms and gardening, small scale industrial services and where self priming is necessary

### FEATURES OF PUMP

Pump body in technopolymer and motor support in die cast aluminium. Impeller, diffuser, venturi tube and sand guard in technopolymer Stainless steel wear ring. Carbon/ceramic mechanical seal.

### FEATURES OF MOTOR

Asynchronous type, closed, with external air cooling. Rotor mounted on oversized greased-for-life ball bearings, to guarantee low noise and long life. Incorporated thermo-ampereometric protection and permanently inserted capacitor in the single phase version.

It is recommended to use overload protection for three phase motor protection, in compliance with current legislation. Manufactured pursuant to CEI 2-3 and CEI 61-69 (EN 60335-2-41).

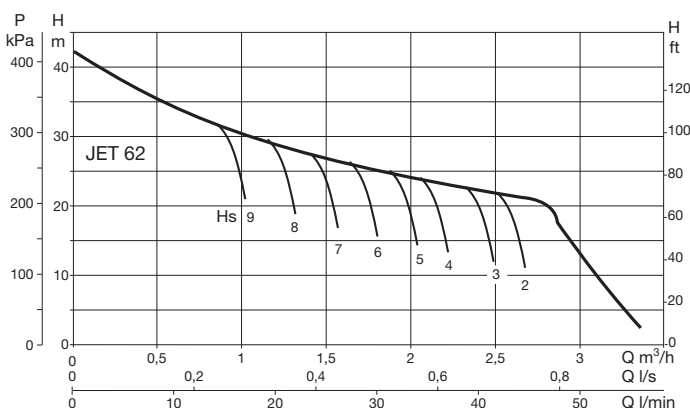
### CERTIFICATIONS & WARRANTY



### CHARACTERISTICS

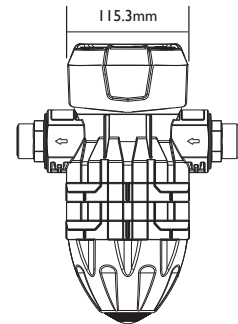
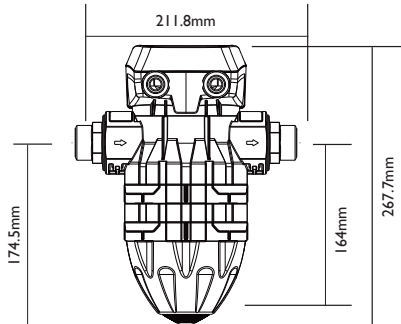
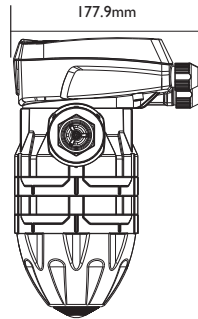
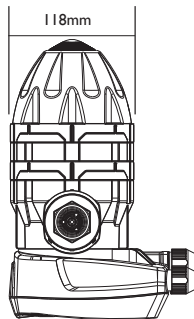
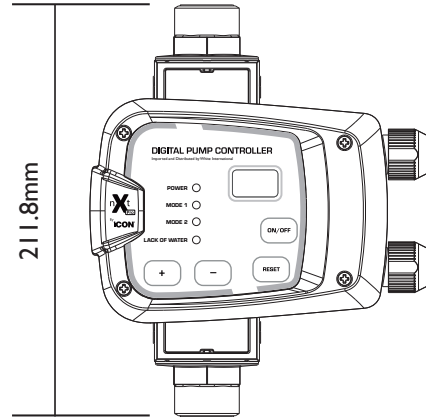
- **Operating Range:** from 5 to 50 litres/min with head up to 42 metres.
- **Liquid Quality Requirements:** clean, free from solid or abrasive contaminants, non-viscous, non-aggressive, uncrystallised and chemically neutral.
- **Liquid temperature range:** for domestic use: from 0°C to +35°C (EN 60335-2-41) for other use: from 0°C to +40°C
- **Maximum Suction Depth:** 8 metres.
- **Maximum Ambient Temperature:** +50°C
- **Maximum Operating Pressure:** 8 bar (800 kPa)
- **Installation:** fixed in a horizontal position.
- **Special executions on request:** alternative voltages and/or frequencies.
- **Motor Protection Rating:** IP 44
- **Terminal Block Protection Rating:** IP 55
- **Insulation class:** F
- **Standard Input Voltage:** Single phase 220/240 V / 50 Hz  
Three phase 230/400 V - 50 Hz
- **Electrical Data:** 0.44 kW 3.12A 240V

### PUMP CURVE



TURN OVER FOR  
 NXT CONTROLLER  
 INFORMATION





**The nXt series of pump controls represents the next step in pressurised pump control.**

Designed and tested in Australia to ensure operation in the toughest of environments, combining innovative technology with robust proven architecture to guarantee constant supply of pressurised water when and where you need it the most.

Ideal for pumps supplying clean, non-volatile liquids without fibers or solids in applications such as:

- Household water supply
- Irrigation
- Water transfer
- Washing systems
- Pressure boosting

**Features:**

- Digital display gives you a real time indication of system pressure
- Anti-cycle Protection
- Dry run protection with auto restart function that tests for water availability every 24hrs
- Anti-seize function if pump has not operated for last 24 hours
- Controller automatically restarts pump after a power failure
- Easy assembly and removal using push-n-connect fitting with U clip
- Complies to AS/NZ 4020 drinking water standard
- Over pressure protection turns pump off when 10 bar is reached
- Overload protection

**Two operational modes:**

- Mode One - Adjustable cut in pressure setting. Controller stops pump when flow drops.
- Mode Two - Adjustable cut in and cut out pressure. Shut down governed by pressure. Requires pressure tank.



NXT PRO	
Function	ON/OFF + Config
Modes	2
Size	2.2Kw
Rated Voltage	90-280V AC
Max Amps	16
Rated Power	2200w
Rating	IP65
Union Size	1"
Start Pressure	Adjustable
Stop Pressure	Adjustable
Max Pressure	10 bar (145PSI)
Max Liquid Temp	60°C
Cable to Pump	Plug and Play
Flylead for Pump	When sold as control only
Power Cable	10AMP
Communication	-
Accessories	15 AMP Cable
(Sold Separately)	1 1/4" Union Kit